

**TECHN. DATEN (TECHNICAL DATA):**

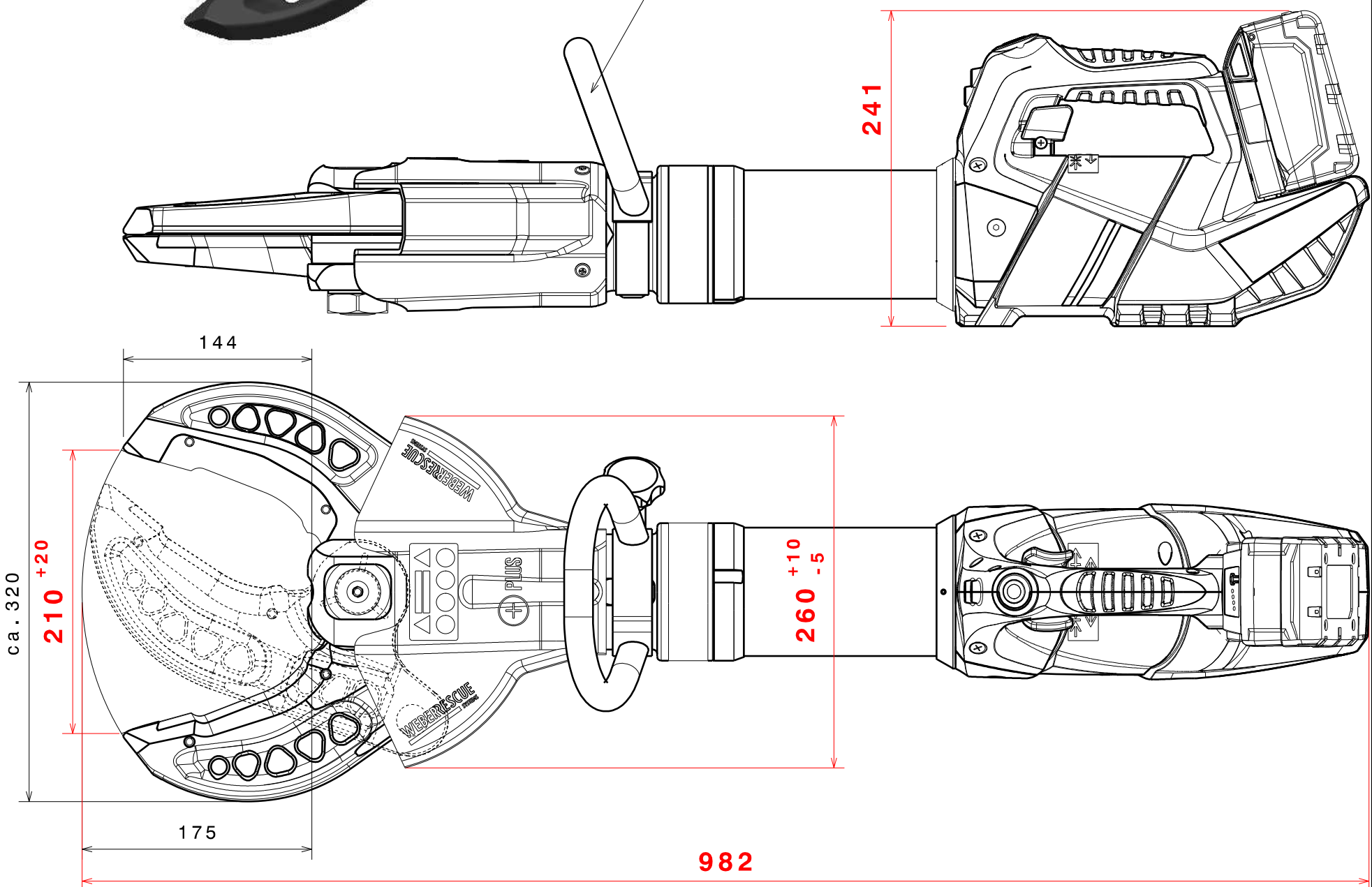
NENNDRUCK (NOMINAL PRESSURE)  $P_N$  ..... 70 MPa (700bar)  
 PRÜFDRUCK (TEST PRESSURE)  $P_P$  ..... 84 MPa (840bar)  
 GEWICHT (WEIGHT) ..... 23,5 kg (INCL. AKKU)  
 BETRIEBSSPANNUNG (OPERATING VOLTAGE).....28 VDC

**Schneidklasse (CUTTING CLASS)**

DIN 14751/4..... C200-K-E-I  
 EN 13204 (IN ANLEHNUNG/ ACCORDING TO). CC200K-23,5 (1K-2K-3K-4K-5K)  
 NFPA 1936 ..... A8-B9-C8-D9-E9



HALTEGRIF 360° SCHWENKBAR  
HANDLE 360° ROTATABLE



GEPR. JSC  
CHECK.

GEZ. KST  
DRAW. DAT. 12.07.17

GEÄND. MODIF.  
AEND.-DATUM MOD.-DATE

AEND.-NR. MOD.-NO.  
REVISION REVISION

TOLERANZEN (TOLERANCES)	LAENGENMASS (LENGHT)mm	... 50	50... 250	250... 1000	1000...	WINKELMASS (ANGLE)	... 180°
GEWICHT (WEIGHT) ±2%	TOLERANZ (TOLERANCE)mm	±1,5	± 2,0	± 3,0	± 5,0	TOLERANZ (TOLERANCE)	±10°