

TECHN. DATEN (TECHNICAL DATA):

NENNDRUCK (NOMINAL PRESSURE) P_N 70 MPa (700bar)
 PRÜFDRUCK (TEST PRESSURE) P_p 84 MPa (840bar)
 GEWICHT (WEIGHT) 14,6 kg
 (INKL. 0,3m SCHLÄUCHE U. KUPPLUNGEN; INCL. 0,3m HOSES AND COUPLINGS)
 ÖLBEDARF (REQUIRED OIL VOLUME) 0,1 l

Schneidklasse (CUTTING CLASS):

EN 13204 BC160H-14,6 (1I-2K-3H-4J-5H)
 NFPA 1936 A7-B8-C6-D7-E8

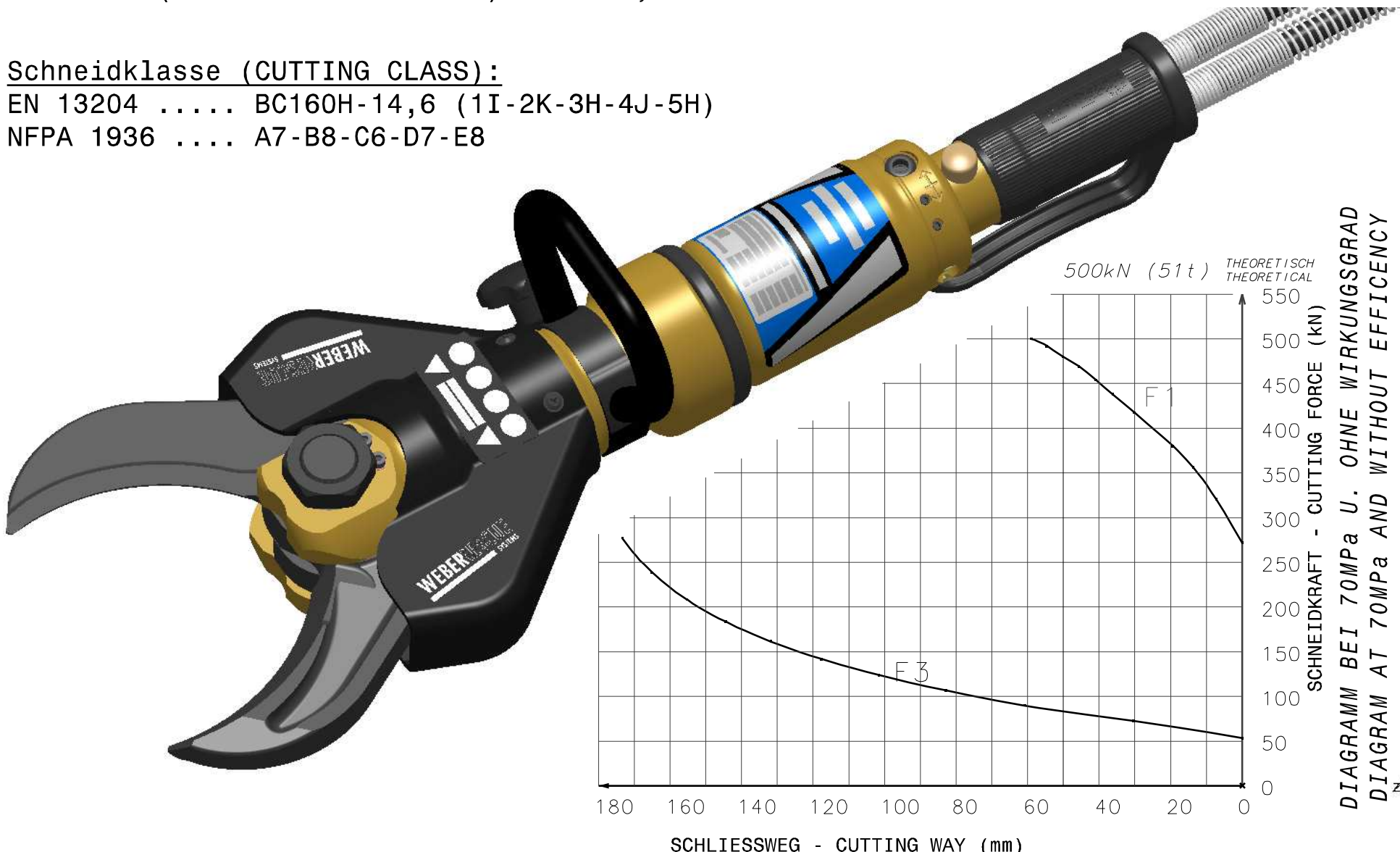


DIAGRAMM BEI 70MPa U. OHNE WIRKUNGSGRAD
 DIAGRAM AT 70MPa AND WITHOUT EFFICIENCY

GEPR. JSC
CHECK.

 GEZ. KST
DRAW. DAT. 23.02.10

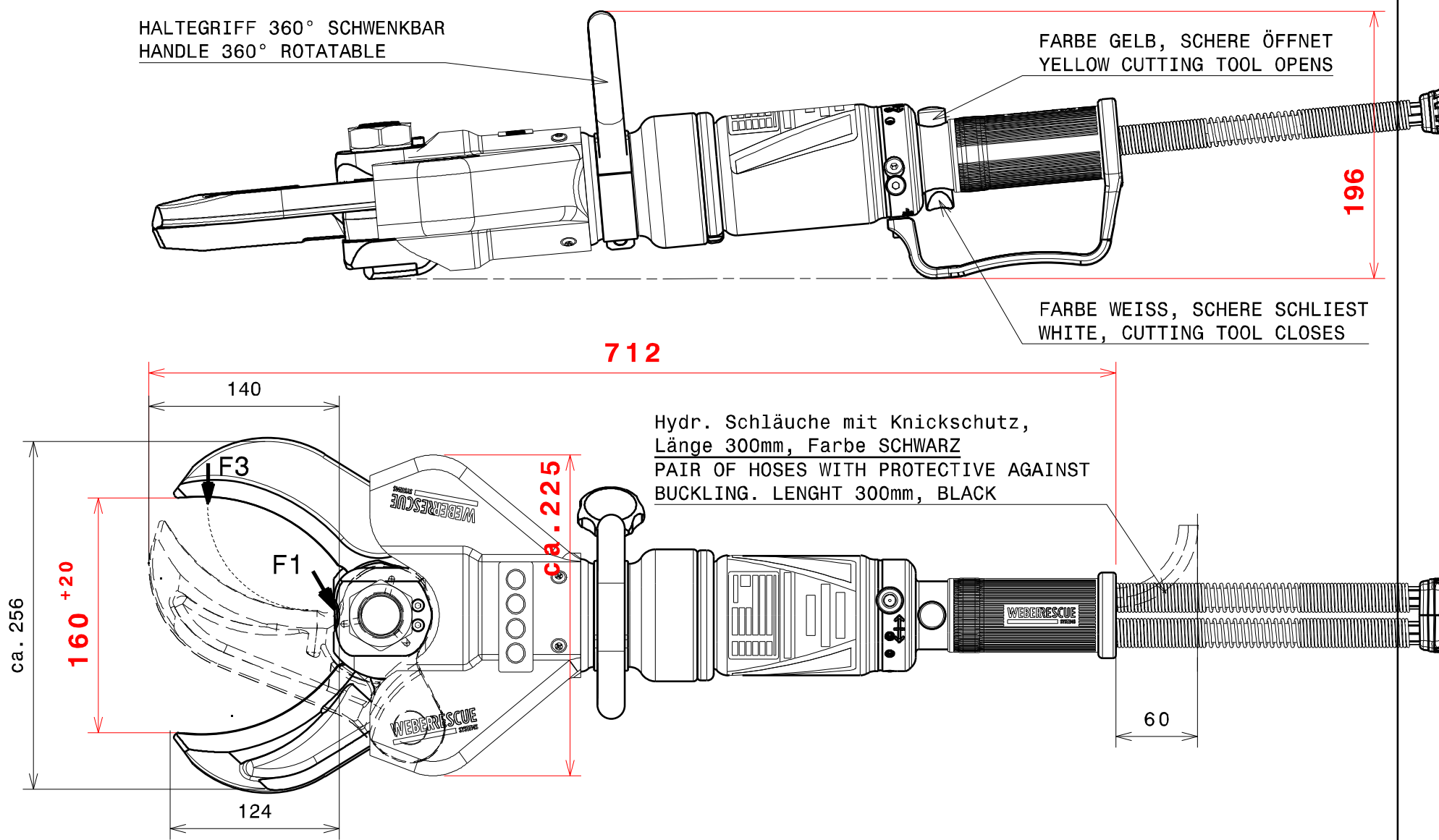
 KST
09.11.16

 GEAEND. MODIF. AEND.-DATUM MOD.-DATE
160769 F
 AEND.-NR. MOD.-NO. REVISION REVISION

HALTEGRIFF 360° SCHWENKBAR
HANDLE 360° ROTATABLE

FARBE GELB, SCHERE ÖFFNET
YELLOW CUTTING TOOL OPENS

FARBE WEISS, SCHERE SCHLIEST
WHITE, CUTTING TOOL CLOSES



TOLERANZEN (TOLERANCES)	LAENGENMASS (LENGTH)mm	...50	50...250	250...1000	1000...	WINKELMASS (ANGLE)	...180°
GEWICHT (WEIGHT) ±2%	TOLERANZ (TOLERANCE)mm	±1,5	±2,0	±3,0	±5,0	TOLERANZ (TOLERANCE)	±10°