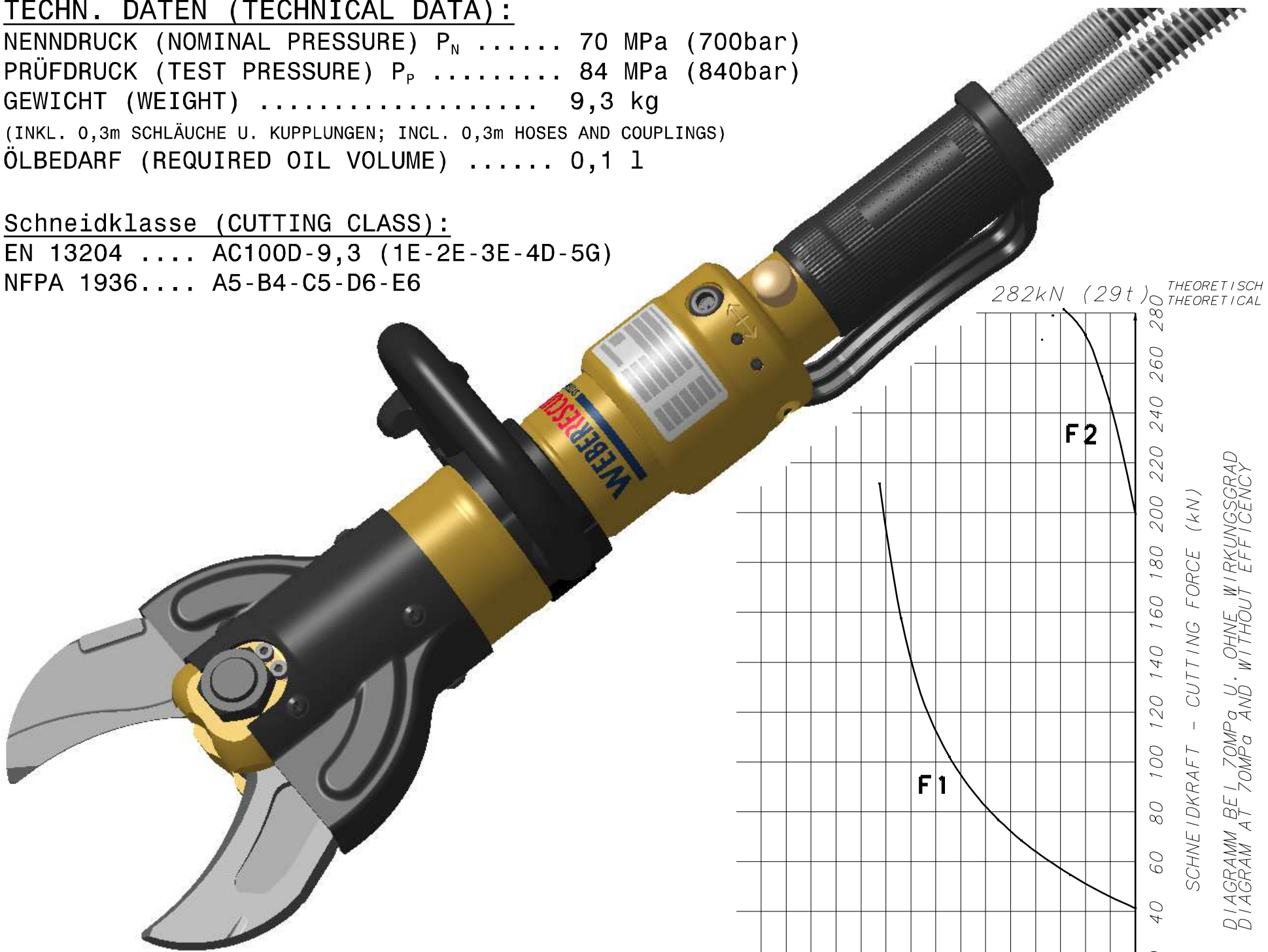


TECHN. DATEN (TECHNICAL DATA):

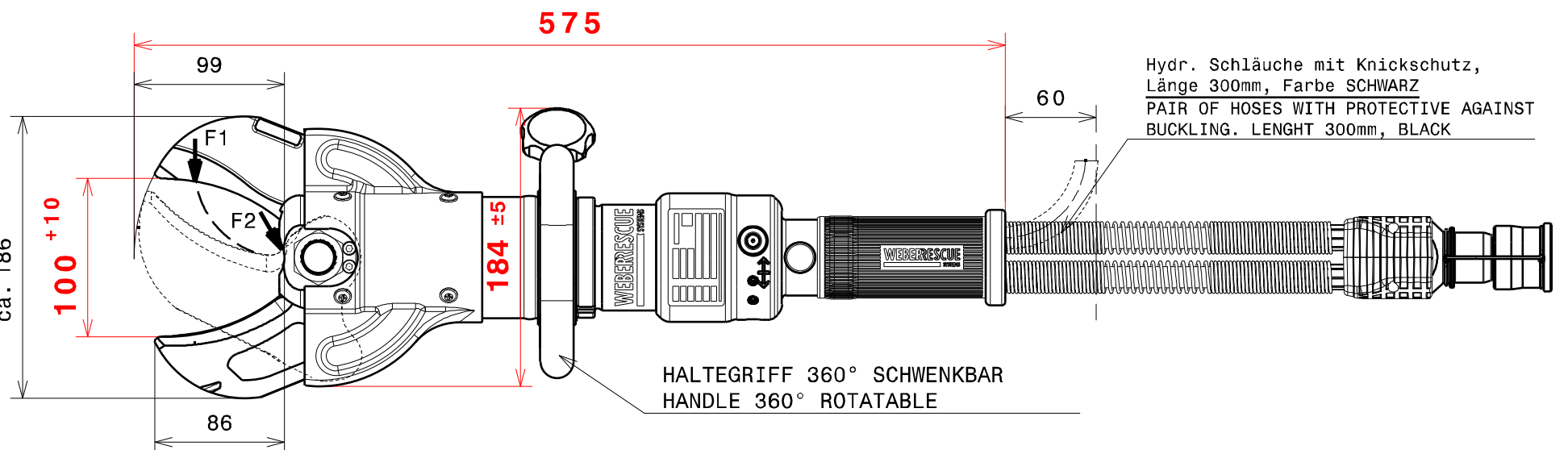
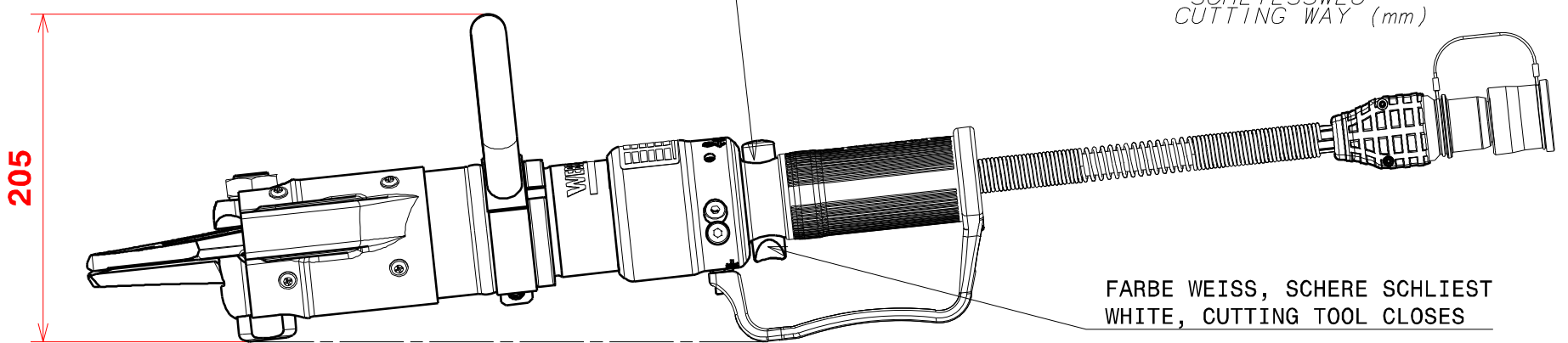
NENNDRUCK (NOMINAL PRESSURE) P_N 70 MPa (700bar)
 PRÜFDRUCK (TEST PRESSURE) P_p 84 MPa (840bar)
 GEWICHT (WEIGHT) 9,3 kg
 (INKL. 0,3m SCHLÄUCHE U. KUPPLUNGEN; INCL. 0,3m HOSES AND COUPLINGS)
 ÖLBEDARF (REQUIRED OIL VOLUME) 0,1 l

Schneidklasse (CUTTING CLASS):

EN 13204 AC100D-9,3 (1E-2E-3E-4D-5G)
 NFPA 1936.... A5-B4-C5-D6-E6



FARBE GELB SCHERE ÖFFNET
 YELLOW CUTTING TOOL OPENS



GEPR. JSC
 CHECK.

GEZ. KST
 DRAW. DAT. 28.12.09

GEAEND. KSt
 MODIF. AEND.-DATUM 30.03.17
 MOD.-DATE

170205 C
 AEND.-NR. REVISION
 MOD.-NO. REVISION

TOLERANZEN (TOLERANCES)	LAENGENMASS (LENGHT)mm	...50	50...250	250...1000	1000...	WINKELMASS (ANGLE)	...180°
GEWICHT (WEIGHT) ±2%	TOLERANZ (TOLERANCE)mm	±1,5	±2,0	±3,0	±5,0	TOLERANZ (TOLERANCE)	±10°