

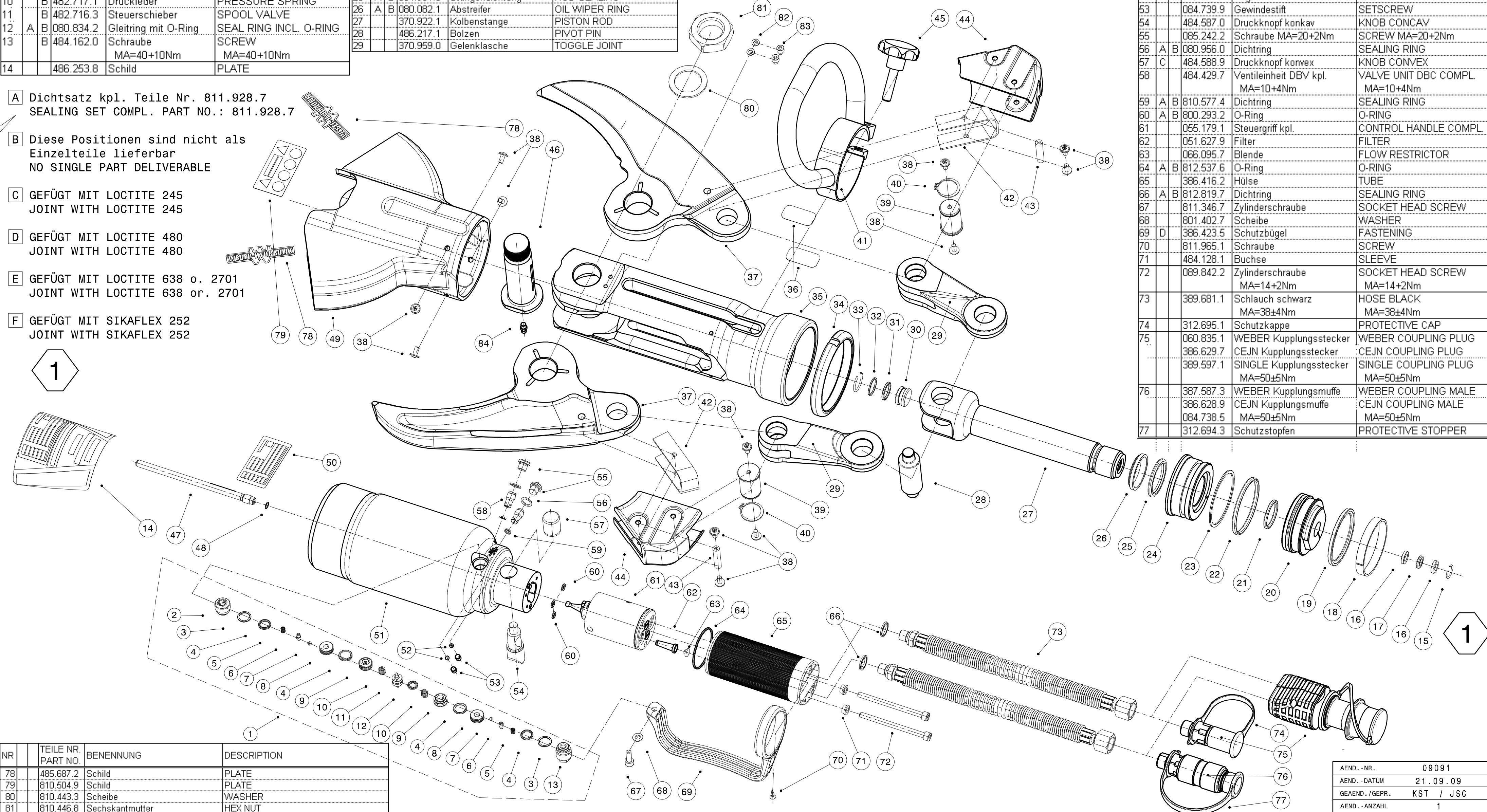
| NR | TEILE NR. PART NO. | BENENNUNG | DESCRIPTION |
|----|--------------------|------------------------|------------------------|
| 1 | 482.816.0 | Ventileinheit DRV kpl. | VALVE UNIT DRV COMPL. |
| 2 | B 483.713.9 | Schraube MA=40+10Nm | SCREW MA=40+10Nm |
| 3 | A B 482.749.0 | Stützring | BACK UP RING |
| 4 | A B 080.373.1 | O-Ring | O-RING |
| 5 | B 052.383.6 | Druckfeder | PRESSURE SPRING |
| 6 | B 482.625.6 | Ventilstift | VALVE PIN |
| 7 | B 080.097.0 | Kugel | BALL |
| 8 | B 482.714.7 | Buchse | BUSHING |
| 9 | B 482.715.5 | Ventilsitz | VALVE SET |
| 10 | B 482.717.1 | Druckfeder | PRESSURE SPRING |
| 11 | B 482.716.3 | Steuerschieber | SPOOL VALVE |
| 12 | A B 080.834.2 | Gleitring mit O-Ring | SEAL RING INCL. O-RING |
| 13 | B 484.162.0 | Schraube MA=40+10Nm | SCREW MA=40+10Nm |
| 14 | 486.253.8 | Schild | PLATE |

| NR | TEILE NR. PART NO. | BENENNUNG | DESCRIPTION |
|----|--------------------|-----------------------|-----------------------|
| 15 | 407.480.7 | Sprengring | SNAP RING |
| 16 | 406.974.9 | Ring | RING |
| 17 | A B 812.070.6 | Glydring | GLYD RING |
| 18 | A B 085.778.5 | Führungsring | WAER RING |
| 19 | A B 812.071.4 | Kolbendichtung | GLYD RING |
| 20 | E 484.464.5 | Kolben MA=350+35Nm | PISTON MA=350+35Nm |
| 21 | A B 081.131.9 | O-Ring | O-RING |
| 22 | A B 081.411.3 | O-Ring | O-RING |
| 23 | A B 082.900.5 | Stützring | BACK UP RING |
| 24 | 484.224.3 | Führungsstück | GUIDE PART |
| 25 | A B 084.951.0 | Stangendichtung | ROD SEALING |
| 26 | A B 080.082.1 | Abstreifer | OIL WIPER RING |
| 27 | 370.922.1 | Kolbenstange | PISTON ROD |
| 28 | 486.217.1 | Bolzen | PIVOT PIN |
| 29 | 370.959.0 | Gelenklasche | TOGGLE JOINT |

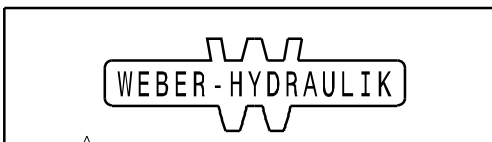
| NR | TEILE NR. PART NO. | BENENNUNG | DESCRIPTION |
|----|--------------------|----------------------|---------------------|
| 30 | 484.227.8 | Scheibe | WASHER |
| 31 | A B 080.957.8 | O-Ring | O-RING |
| 32 | A B 811.403.0 | Stützring | BACK UP RING |
| 33 | 081.913.1 | Sprengring | SNAP RING |
| 34 | 406.985.4 | Nutmutter | GROOVE NUT |
| 35 | 182.330.2 | Scherenkörper | SHEAR BODY |
| 36 | F 486.419.0 | Blech | SHEET METALL |
| 37 | 182.260.8 | Scherenmesser | SHEAR BLADE |
| 38 | 801.179.6 | Linseflanschschraube | LENSES FLANGE SCREW |
| 39 | 486.313.0 | Gelenkbolzen | PIVOT PIN |
| 40 | 810.442.5 | Sprengring | SNAP RING |
| 41 | 285.091.5 | Haltegriff komplett | HANDLE COMPLETE |

| NR | TEILE NR. PART NO. | BENENNUNG | DESCRIPTION |
|----|--------------------|--------------------------------------|------------------------------------|
| 42 | 371.323.7 | Blech | SHEET METALL |
| 43 | 485.111.0 | Bolzen | PIVOT PIN |
| 44 | 371.277.0 | Abdeckstulpe | GUARD TOP |
| 45 | 810.181.7 | Griffschraube | STAR KNOB |
| 46 | 485.064.5 | Gelenkbolzen | PIVOT PIN |
| 47 | E 389.570.0 | Rohr MA=10+5Nm | TUBE MA=10+5Nm |
| 48 | A B 081.499.7 | O-Ring | O-RING |
| 49 | 285.098.2 | Abdeckstulpe | GUARD TOP |
| 50 | 485.112.9 | Typenschild | TYPEPLATE |
| 51 | 182.258.6 | Zylinder | CYLINDER |
| 52 | 080.720.6 | Kugel | BALL |
| 53 | 084.739.9 | Gewindestift | SETScrew |
| 54 | 484.587.0 | Druckknopf konkav | KNOB CONCAV |
| 55 | 085.242.2 | Schraube MA=20+2Nm | SCREW MA=20+2Nm |
| 56 | A B 080.956.0 | Dichtring | SEALING RING |
| 57 | C 484.588.9 | Druckknopf konvex | KNOB CONVEX |
| 58 | 484.429.7 | Ventileinheit DBV kpl. MA=10+4Nm | VALVE UNIT DBC COMPL. MA=10+4Nm |
| 59 | A B 810.577.4 | Dichtring | SEALING RING |
| 60 | A B 800.293.2 | O-Ring | O-RING |
| 61 | 055.179.1 | Steuergriff kpl. | CONTROL HANDLE COMPL. |
| 62 | 051.627.9 | Filter | FILTER |
| 63 | 066.095.7 | Blende | FLOW RESTRICTOR |
| 64 | A B 812.537.6 | O-Ring | O-RING |
| 65 | 386.416.2 | Hülse | TUBE |
| 66 | A B 812.819.7 | Dichtring | SEALING RING |
| 67 | 811.346.7 | Zylinderschraube | SOCKET HEAD SCREW |
| 68 | 801.402.7 | Scheibe | WASHER |
| 69 | D 386.423.5 | Schutzbügel | FASTENING |
| 70 | 811.965.1 | Schraube | SCREW |
| 71 | 484.128.1 | Buchse | SLEEVE |
| 72 | 089.842.2 | Zylinderschraube MA=14+2Nm | SOCKET HEAD SCREW MA=14+2Nm |
| 73 | 389.681.1 | Schlauch schwarz MA=38±4Nm | HOSE BLACK MA=38±4Nm |
| 74 | 312.695.1 | Schutzkappe | PROTECTIVE CAP |
| 75 | 060.835.1 | WEBER Kupplungsstecker | WEBER COUPLING PLUG |
| | 386.629.7 | CEJN Kupplungsstecker | CEJN COUPLING PLUG |
| | 389.597.1 | SINGLE Kupplungsstecker MA=50±5Nm | SINGLE COUPLING PLUG MA=50±5Nm |
| 76 | 387.587.3 | WEBER Kupplungsmuffe | WEBER COUPLING MALE |
| | 386.628.9 | CEJN Kupplungsmuffe MA=50±5Nm | CEJN COUPLING MALE MA=50±5Nm |
| | 084.738.5 | MA=50±5Nm | MA=50±5Nm |
| 77 | 312.694.3 | Schutzstopfen | PROTECTIVE STOPPER |

- A Dichtsatz kpl. Teile Nr. 811.928.7
SEALING SET COMPL. PART NO.: 811.928.7
- B Diese Positionen sind nicht als Einzelteile lieferbar
NO SINGLE PART DELIVERABLE
- C GEFÜGT MIT LOCTITE 245
JOINT WITH LOCTITE 245
- D GEFÜGT MIT LOCTITE 480
JOINT WITH LOCTITE 480
- E GEFÜGT MIT LOCTITE 638 o. 2701
JOINT WITH LOCTITE 638 or. 2701
- F GEFÜGT MIT SIKAFLEX 252
JOINT WITH SIKAFLEX 252



| NR | TEILE NR. PART NO. | BENENNUNG | DESCRIPTION |
|----|--------------------|---|---|
| 78 | 485.687.2 | Schild | PLATE |
| 79 | 810.504.9 | Schild | PLATE |
| 80 | 810.443.3 | Scheibe | WASHER |
| 81 | 810.446.8 | Sechskantmutter Setzmoment 300Nm Anzugsmoment MA=200+20Nm | HEX NUT SETTING MOMENT 300Nm FASTENING TORQUE MA=200+20Nm |
| 82 | A B 082.180.2 | Dichtring | SEALING RING |
| 83 | 089.801.5 | Zylinderschraube | SOCKET HEAD SCREW |
| 84 | 086.272.0 | kegelschmiernippel | LUBRICATING NIPPLE |



WEBER-HYDRAULIK GMBH

EXPLOSIONSZEICHNUNG - DIAGRAM OF SPARE PARTS
SCHNEIDGERÄT
CUTTING TOOL RSX200-107 (US) - 593584.9 (593585.7)

| | | | |
|-------|----------|-------------|----------|
| DATE | 22.06.09 | ZEICHN.-NR. | 285112.1 |
| GEZ. | KST | BLATT | 1 / 1 |
| GEPR. | <JSC | | |

| | |
|----------------|-----------|
| AEND. -NR. | 09091 |
| AEND. -DATUM | 21.09.09 |
| GEAEND. /GEPR. | KST / JSC |
| AEND. -ANZAHL | 1 |
| TEILEART | U |